

Attic Fan Sizes

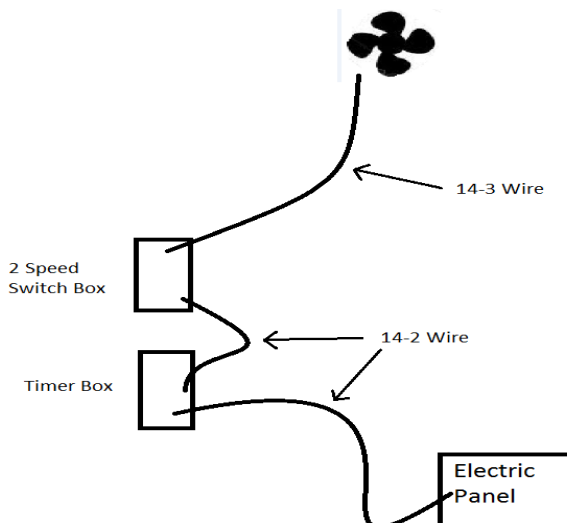
- 30" Fan. 2000 sq ft and below (excluding Bsmt)
- 36" Fan 2000-3000 sq ft
- 42" Fan 3000 + sq ft

Rough Openings

- Go "strong" on measurements. i.e. edge a little on the bigger side. For a 30"x30" RO 30-1/4" would be just fine, but 29-3/4" would most likely present some problems for shutter.
- 30" Fan can use the following rough openings. 30" x 30", 30" x 36" & 32" x 34"
- 36" Fan needs a R.O. of 32" x 43"
- 42" Fan needs a R.O. of 34" x 46"
- No cut truss/joist shutters are available. For R.O. see more detailed info on resources page of website.

Pre-Wiring Instructions

- Fan should be on its own 15amp breaker
- Install two single gang boxes in the wall. Typically these are installed one on top of the other at about an inch or less apart. One for the high low speed setting and one for the timer.
- Bottom box is the timer and has a 14-2 wire from the box to the electric panel
- From the bottom box to the top box is a 14-2 wire
- From the top box to the fan is a 14-3 wire
- KC Attic Fans will be responsible for connecting these existing wires to the fan, timer and 2 speed switch.
- KC Attic Fans provides the timer and 2 speed switch.



Ordering Info

Please provide the below when placing orders. Email & website form is our preferred ordering method

- | | |
|----------------------------------|---------------------------------------------------------------------|
| -Builder name | -Fan Size |
| -Contact Name | -Shutter/R.O. Size |
| -Mobile Phone | -White or Ivory Controls |
| -Email | -Confirmation of: pre-wiring, sheetrock cut & painting is complete. |
| -Address & Subdiv | -Lockbox code |
| -Window of time for installation | |

When to Install

We usually like to install the attic fan right after painting has been complete, but before hardwood floors. We like to have AC power available to test the fan when complete, but that is not absolutely necessary.

Attic Ventilation/Exhaust (very important)

- Strongly consider installing a few extra roof vents in your house if you will have an attic fan. Remember that air must escape as quick as it is pushed into the attic. A 30" fan recommends as much as 10 NFA Sq Ft and 36" recommends 12 Sq Ft. See venting calculator in resources page of website.

Other General Suggestions or Comments

- Please have sheet rock cut out prior to fan install.
- Please help coordinate our schedule with yours and your other subs to avoid conflicts and access to the house.
- We appreciate at least a few days advance notice for scheduling purposes.
- If you have a homeowner who is interested in an attic fan, but it may not be in their budget right now. Consider framing in the box and pre-wiring for it. They can always do this later and it saves a lot of trouble and expense down the road when they have the attic fan installed.